

W White-Westinghouse

INTERNATIONAL

Factory Parts Catalog

Product No.	WSPE25V9GS0	WSPE25V9GS1
Series	R134a System	R134a System
Color	stain/blk	stain/blk
Volts	220	220
Wiring Diagram	241796600	241796600
Owner's Guide	241801200	241801200
Market	Export	Export
Energy Guide	241732553	241732553
Service Data Sheet	240420911	240420911

INTERNATIONAL
3 Parkway Center, Pittsburgh, PA 15220

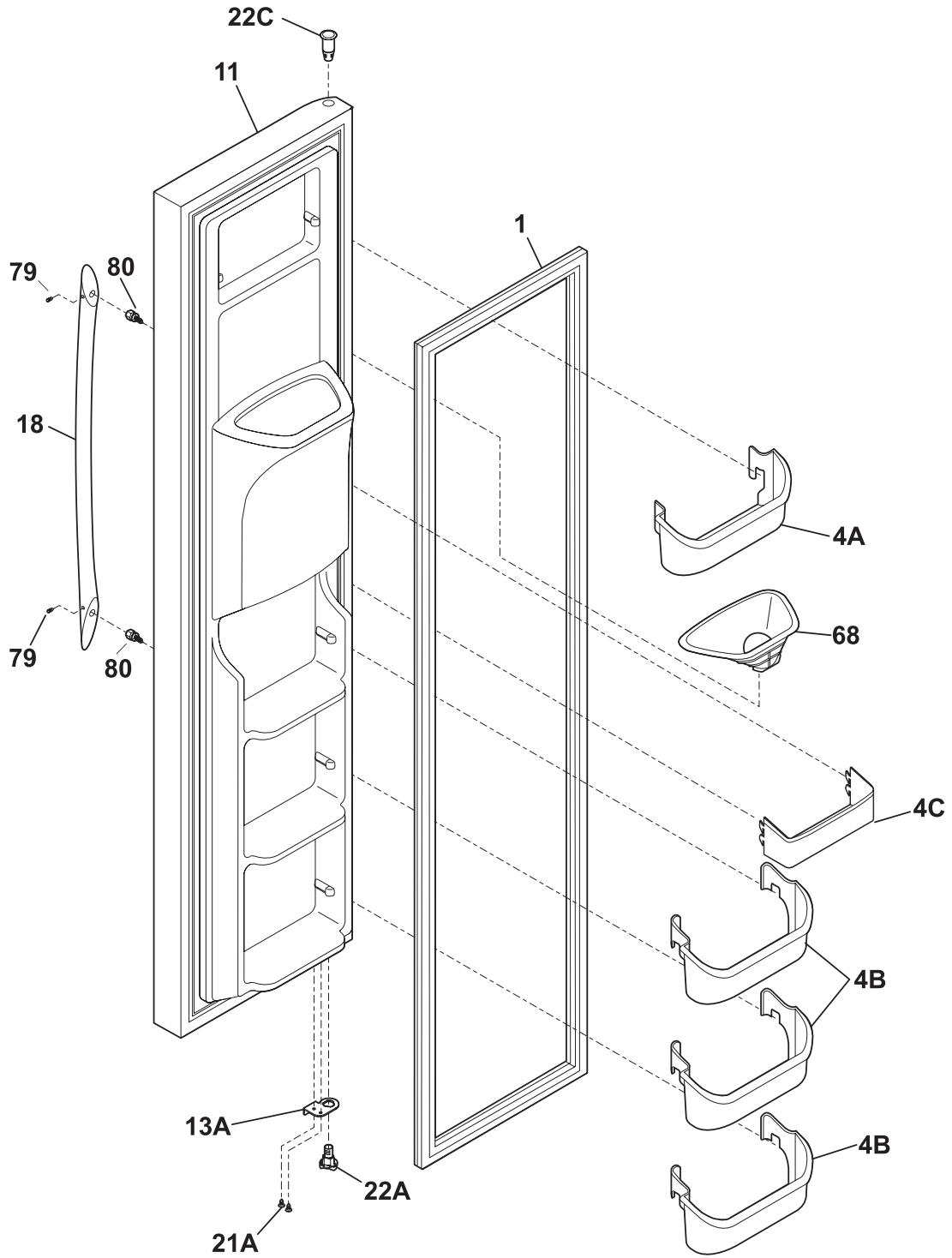
Publication No.
5995497822
07/08/22
(EN/SERVICE/RLF)
137

SIDE-BY-SIDE REFRIGERATOR

Model No.
WSPE25V9G

Copyright © 2007 Electrolux Home Products, Inc.
All rights reserved.

FREEZER DOOR



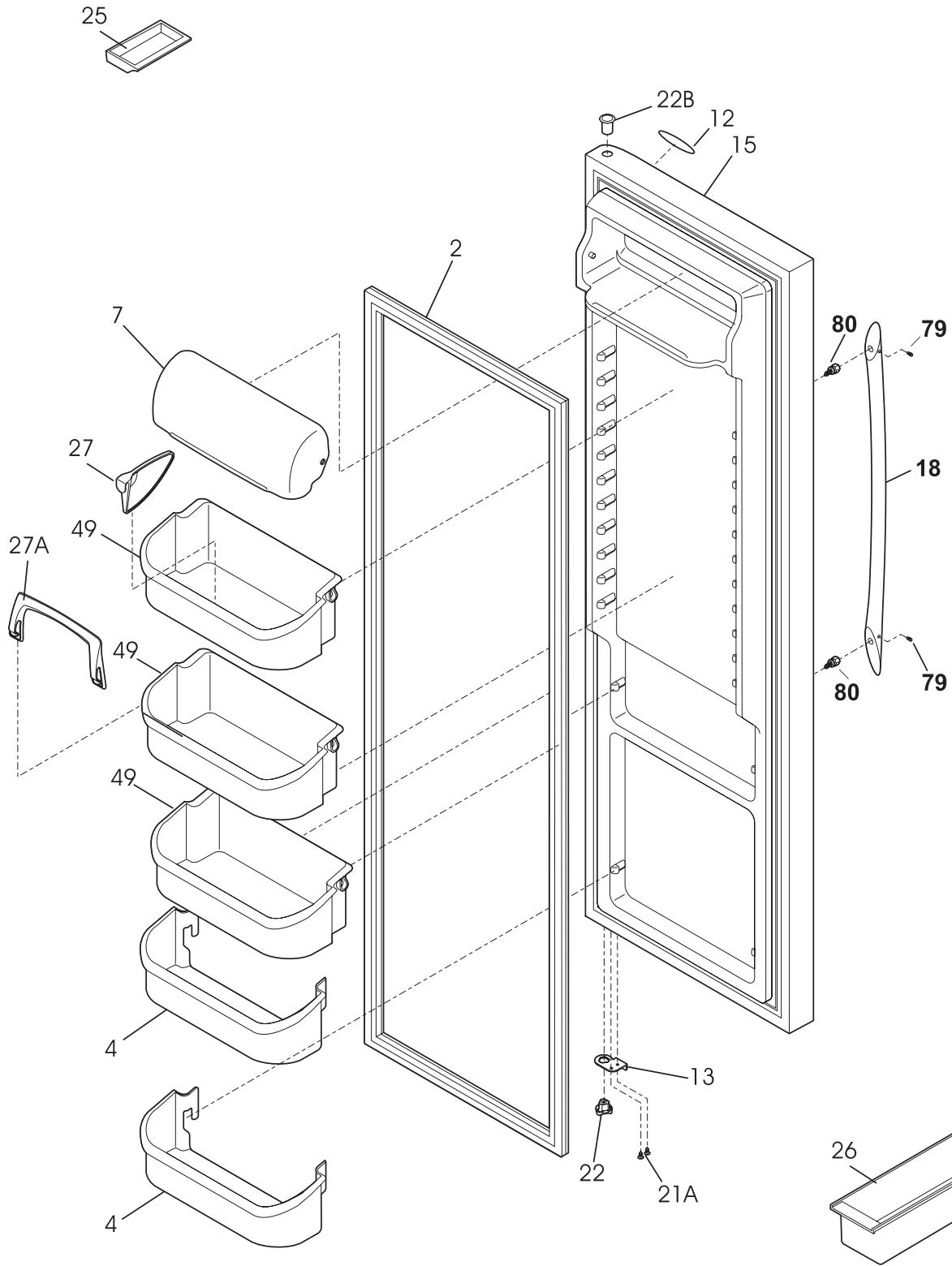
N58FFCBCB1

FREEZER DOOR

Model Index: A WSPE25V9G (WSPE25V9GS0)
 B WSPE25V9G (WSPE25V9GS1)

POS. NO	PART NO.		DESCRIPTION
1 #	241674804	A -	Gasket-frzr door, white, magnetic
1 #	241786004	- B	Gasket-frzr door, white, magnetic
4A	240367302	A B	Bin-door, frzr-upper
4B	240359002	A B	Bin-door
4C	240358402	A B	Bin-door, frzr-dispenser
11	241615171	A B	Door, frzr, stainless steel
13A	240581902	A B	Door Stop, white, frzr
18	297065300	A B	Handle-door
21A	240598402	A B	Screw, 10-32 x 1/2
22A	240328202	A B	Bearing-hinge(frz), closer
22C	240328402	A B	Bearing-hinge, natural, upper
68	241525101	A B	Chute-ice
79	218755402	A B	Screw-set, 10-32 x 0.375
80	218755504	A B	Screw-shoulder, #10 AB, handle mounting
*	240470401	A B	Connector-amp
*	240451503	A B	Screw, ind hex wshr hd, 8-32 x 0.375, trilobe
*	241599703	A B	Harness-wiring, door
*	241806601	A B	Connector-water, straight
*	5303918273	A B	Dispenser heater kit, 220

REFRIGERATOR DOOR



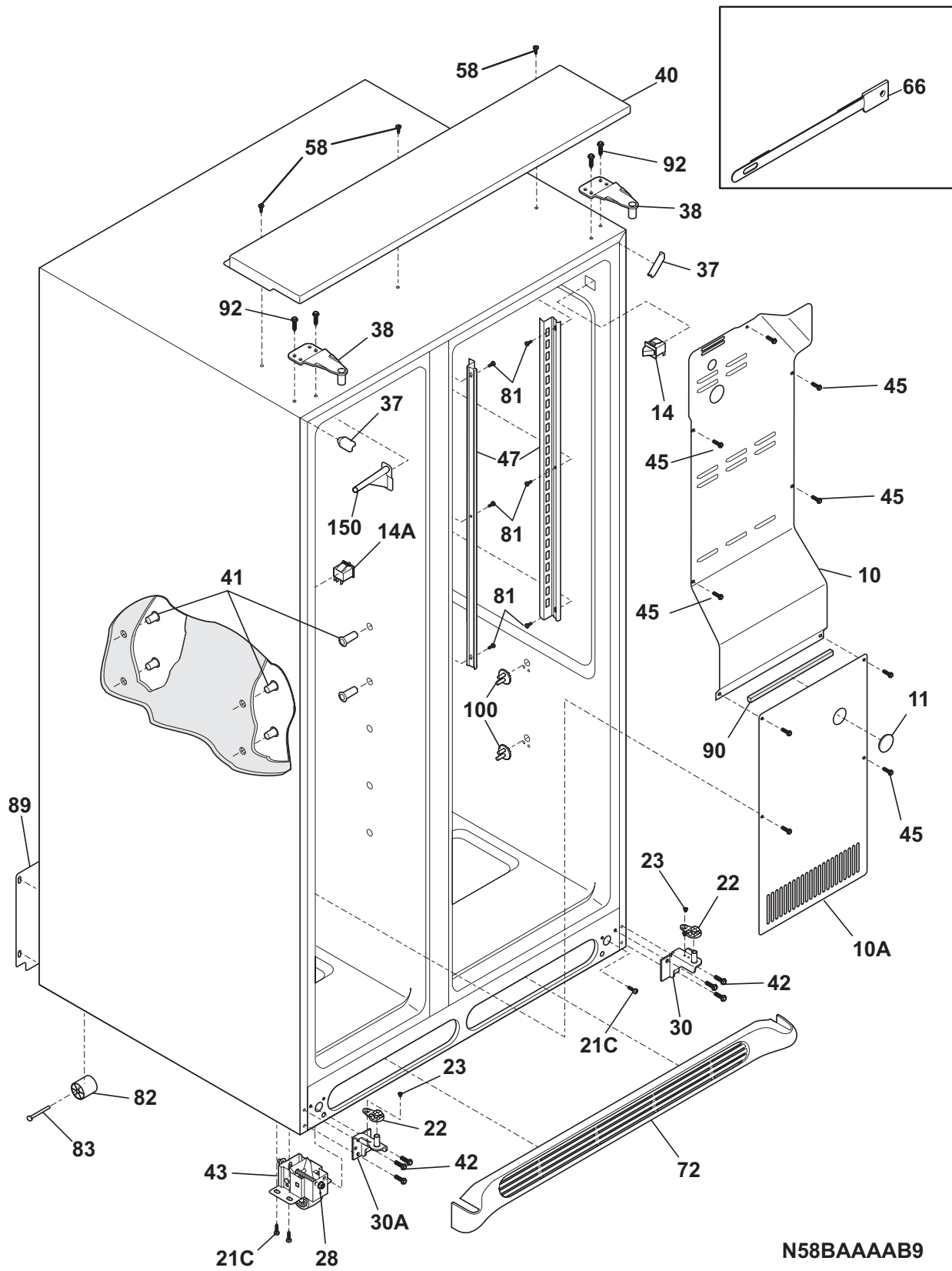
N58RFDCAA0

REFRIGERATOR DOOR

Model Index: A WSPE25V9G (WSPE25V9GS0)
 B WSPE25V9G (WSPE25V9GS1)

POS. NO	PART NO.		DESCRIPTION
2 #	241674803	A -	Gasket-refr door, white, magnetic
2	241786003	- B	Gasket-refr door, white, magnetic
4	240363702	A B	Bin-door, 2-liter
7	240338318	A B	Door-dairy
12	240578101	A B	Label-nameplate
13	240581901	A B	Door Stop, white, refr
15	241629343	A B	Door-refr, stainless, complete assy
18	297065300	A B	Handle-door
21A	240598402	A B	Screw, 10-32 x 1/2
22	240328201	A B	Bearing-hinge(ref), closer
22B	240328402	A B	Bearing-hinge, natural, upper
25	5308000716	A B	Dish, butter
26	3204522	A B	Container, egg
27	240396302	A B	Snugger, paddle type
27A	240396102	A B	Retainer, tall bottle
49	240324502	A B	Bin-door, gallon
49*	241780302	A B	Liner, bin, bin
79	218755402	A B	Screw-set, 10-32 x 0.375
80	218755504	A B	Screw-shoulder, #10 AB, handle mounting

CABINET

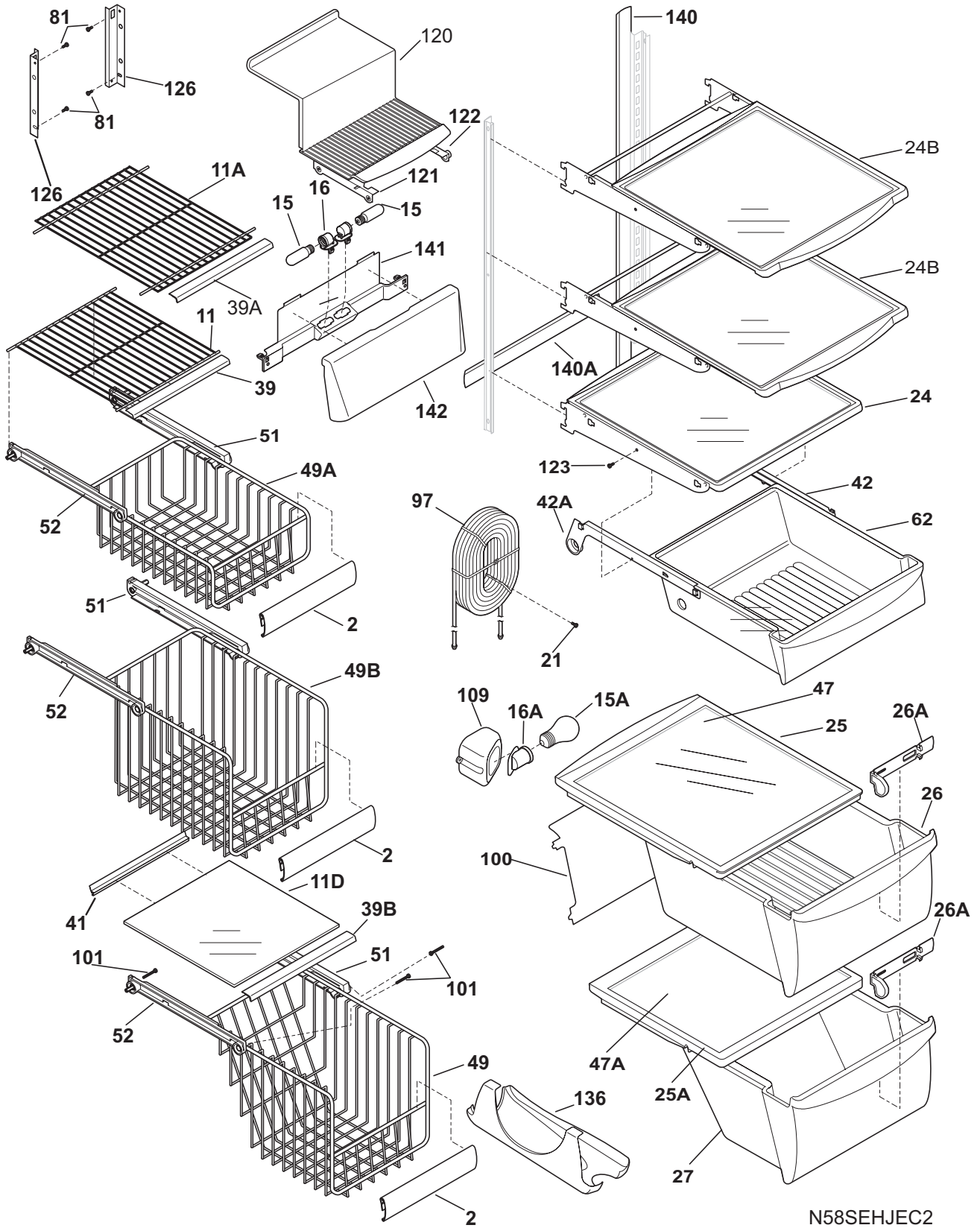


CABINET

Model Index: A WSPE25V9G (WSPE25V9GS0)
 B WSPE25V9G (WSPE25V9GS1)

POS. NO	PART NO.		DESCRIPTION
10	240435913	A B	Cover-air duct
10A	240475910	A B	Cover-evap coil, lower
11	5303208309	A B	Plug-hole, factory test
14 #	240505801	A B	Switch, light/lamp
14A	241547901	A B	Switch-light/lamp, frzr door
21C	218252201	A B	Screw, #8 truss hd, 10-32CA x 0.500
22	240457701	A B	Plate-door closer
23	240402702	A B	Screw-#10-32 x 1/4 flat hd
28	241708801	A B	Bolt-roller adj, hex washer head, 1/4-20 x 4.020, (2), special
30	241603703	A B	Bracket-lower hinge, ref
30A	241603704	A B	Bracket-lower hinge
37	240337614	A B	Trim-cabinet corner, silver mist, (2)
38	240327207	A B	Bracket-upper hinge
40	241816004	A B	Cover-upper hinge, eyebrow, silver metallic
41	241550801	A B	Grommet-shelf mtg, 1.40" long
41*	241550701	A B	Grommet-shelf mtg, .96" long
42	240578902	A B	Screw-hinge mtg, hex head, 1/4-20 x 5/8
43	241709301	A B	Roller Assy, adjustable, front, (2)
45	241500303	A B	Screw, hex washer head, 8-18AB x 0.500
47	240349402	A B	Channel-shelf mtg, side, (2)
58	215503204	A B	Screw, cr pan hd, 10-16
66	5304424968	A B	Damper Cover Assy
66*	240518802	A B	Pin-push, push-in, plastic
72	240324415	A B	Grille/Kickplate, silver mist
81	5304455650	A B	Screw, hex washer head, 8-15A x 0.625, low profile
82	5304418225	A B	Roller, compressor base, rear, (2)
83	5304455655	A B	Rivet, flat head, 1/4 OD x 1-3/4, roller pin
89	241736403	A B	Cover-access, with label
90	218249807	A B	Seal-coil cover
92	241710601	A B	Screw, hex washer hd, 1/4 x 7/8, hinge mtg
100	240423701	A B	Support, crisper cover, front, (4)
100*	240350802	A B	Support, crisper cover, rear, (4)
150	240368701	A B	Guide-control bulb
*	240481601	A B	Shim-lower hinge
*	240396801	A B	Clamp, tube/wiring, nylon, black/natural
*	240479601	A B	Plug, button, cab liner holes

SHELVES



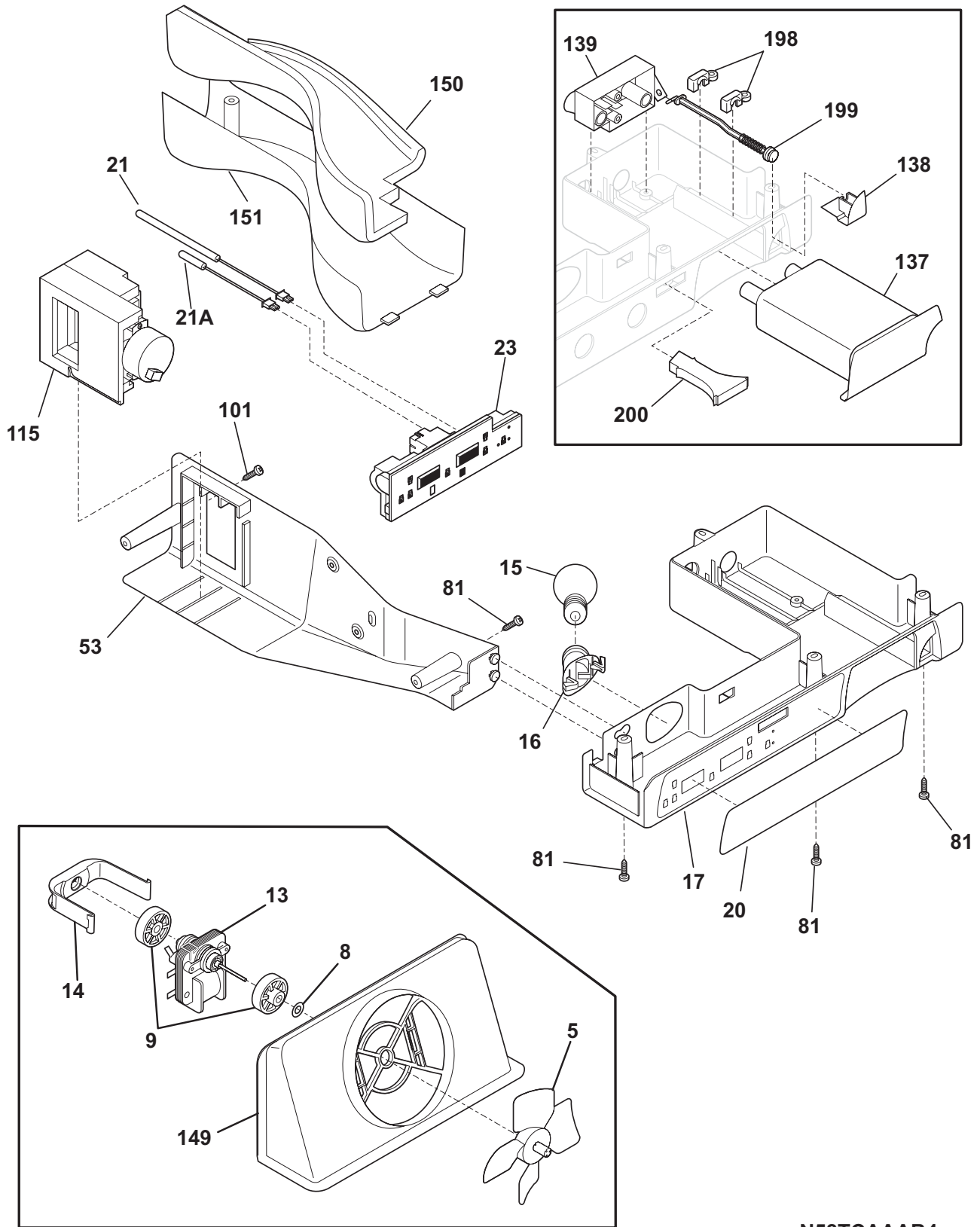
N58SEHJEC2

SHELVES

Model Index: A WSPE25V9G (WSPE25V9GS0)
 B WSPE25V9G (WSPE25V9GS1)

POS. NO	PART NO.		DESCRIPTION
2	241510603	A B	Trim-basket
11	241657601	A B	Shelf, flip up, wire
11A	241657503	A B	Shelf, fixed upper, freezer
11D	240350642	A B	Shelf-freezer, glass
15	241552804	A B	Light Bulb
15A	218814401	A B	Light Bulb
16	241608601	A B	Socket-light
16A	218971501	A B	Socket-light/lamp
16A*	241537505	A B	Harness-wiring
21	5304455658	A B	Screw, hx wshr hd sems, 8-15A x 0.625
24	241711311	A B	Shelf, fixed, Spill Safe
24B	241711009	A B	Shelf, Spill-Safe, sliding
25	240354502	A B	Cover-crisper pan, upper
25*	240362101	A B	Clip-slide, cover-crisper
25A	240354602	A B	Cover-crisper pan, lower
26	240354721	A B	Pan, crisper
26*	240349801	A B	Clip-slide, pan-crisper
26A	240351101	A B	Control-humidity
27	240354824	A B	Pan, crisper lower
39	240367601	A B	Trim-shelf, front
39A	240430705	A B	Trim-shelf, front
39B	240430701	A B	Trim-shelf, front
41	241571203	A B	Trim, shelf, rear
42	240356501	A B	Track, meat pan hanger, RH
42A	240349701	A B	Hanger-meat pan, LH
42A*	240350001	A B	Spring-meat pan rail
42A*	240349901	A B	Block-meat pan rail, LH
47	241711256	A B	Insert-pan cover, glass
47A	240350614	A B	Insert-pan cover, glass
49	240530401	A B	Basket-sliding
49A	240530501	A B	Basket-sliding, upper, half
49B	240530503	A B	Basket-sliding, upper, full
51	240343002	A B	Hanger-basket, RH
52	240343102	A B	Hanger-basket, LH
62	240355523	A B	Pan, pan-meat
81	5304455650	A B	Screw, hex washer head, 8-15A x 0.625, low profile
97	240545303	A B	Water Tank Assy, coiled tubing, front filter
100	240326303	A B	Cover-water tank
101	218493101	A B	Screw, hex washer head, 8-18AB x 1-3/4
109	240351301	A B	Base-crisper light socket
120	241691801	A B	Shelf-ice cream
121	241561001	A B	Rail-ice cream shelf, LH
122	241561101	A B	Rail-ice cream shelf, RH
123	215005101	A B	Screw, hanger/r/r mtg, 8-10 x 7/16
126	241674401	A B	Channel, auger mtg, LH
126	241674402	A B	Channel, auger mtg, RH
136	241657701	A B	Dispenser-can, white
140	240430501	A B	Channel, wtr tube cover
140A	240430503	A B	Channel, wtr tube cover
141	240585401	A B	Bracket-light socket
142	240582703	A B	Shield-light Mid Level

CONTROLS



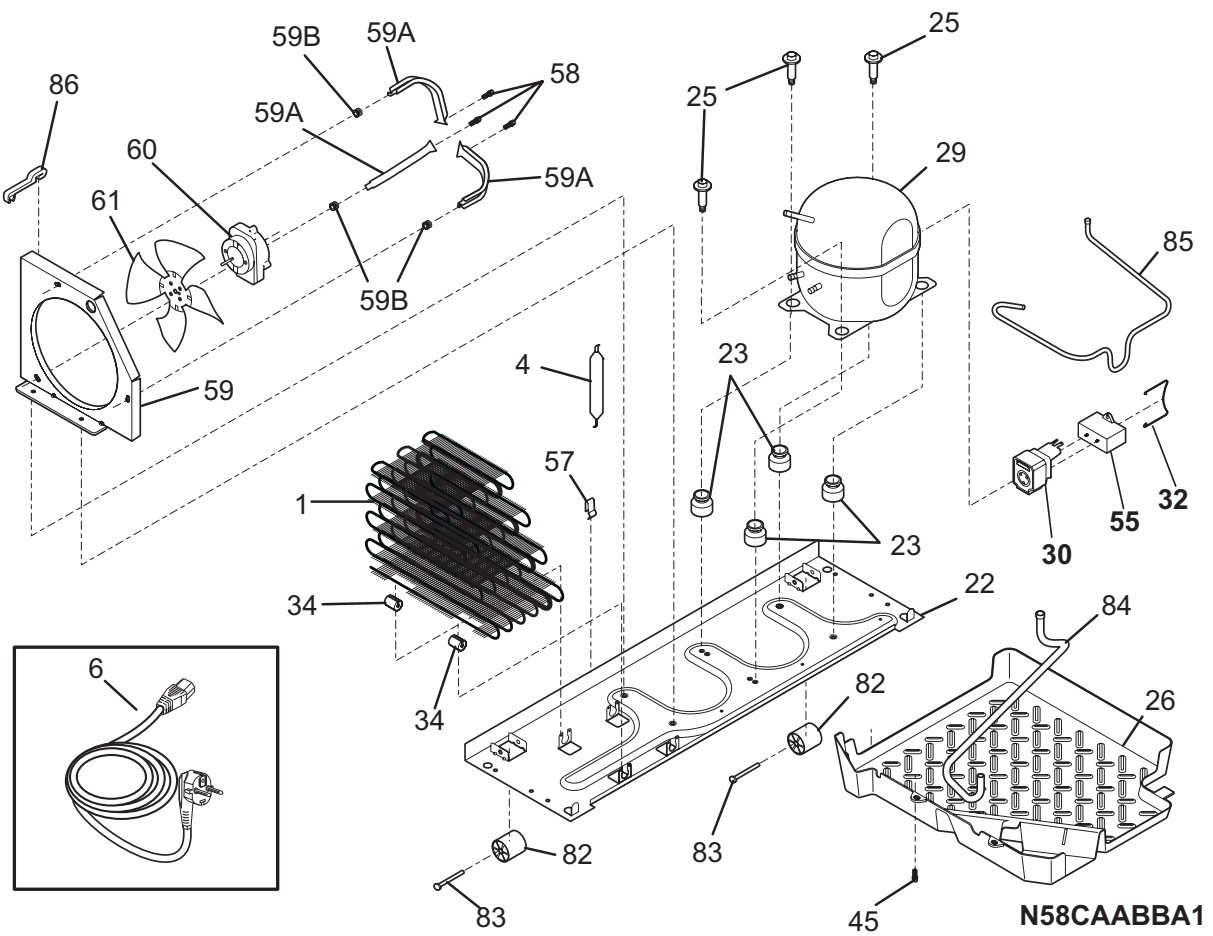
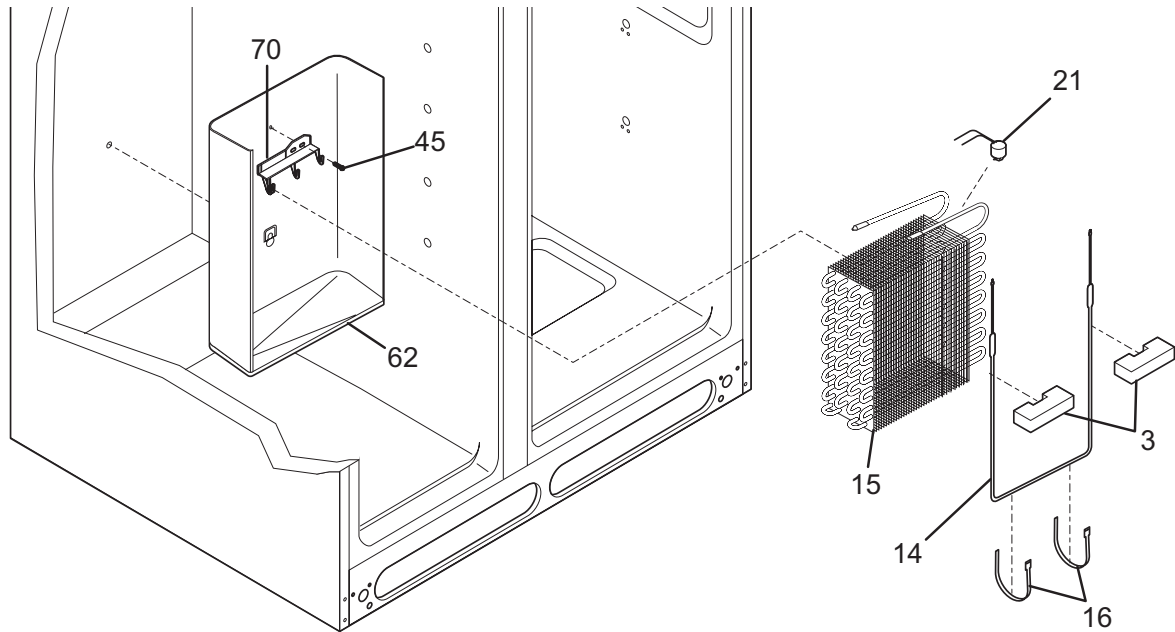
N58TCAAAB4

CONTROLS

Model Index: A WSPE25V9G (WSPE25V9GS0)
 B WSPE25V9G (WSPE25V9GS1)

POS. NO	PART NO.		DESCRIPTION
5 #	5308000010	A B	Fan Blade, red, evaporator fan
8	215474201	A B	Washer, "slinger", nylon, evap fan shaft
9	241563601	A B	Bushing-motor mtg, (2)
13 #	240419601	A B	Motor-evap fan, 220V
14	241517701	A B	Clip, evap fan motor
15	218814401	A B	Light Bulb
16	218971501	A B	Socket-light/lamp
17	241608801	A B	Box-control, front
17*	240600501	A B	Harness-wiring, control box
20	241807802	A B	Label-control box
21 #	241608401	A B	Thermistor-refr
21A#	241608501	A B	Thermistor-frzr
23 #	241739706	A B	Control, electronic
53	241608901	A B	Box-control
81	5304455650	A B	Screw, hex washer head, 8-15A x 0.625, low profile
101	241637202	A B	Screw, #8AB x 1 3/4"
115#	241600904	A B	Damper Assy, 220, w/seal
137	240396401	A B	Filter, water, carbon cassette, front, with o'rings
137*	240396701	A B	Bypass, water filter, Optional Part
138	240397301	A B	Button-filter release
139	240396002	A B	Base-water filter
139*	240526901	A B	O-ring, wtr filter base
149	241563401	A B	Shroud-fan orifice
149*	241528305	A B	Seal, shroud
150	241505101	A B	Insulation-water tube cover
151	241505001	A B	Cover-water tube
198	240397401	A B	Retainer
199	240397501	A B	Rod
199*	240398401	A B	Spring-filter release rod
200	240397601	A B	Light Pipe
*	3205266	A B	Edge Protector, wiring harness
*	240410601	A B	Shield-light, refr

SYSTEM

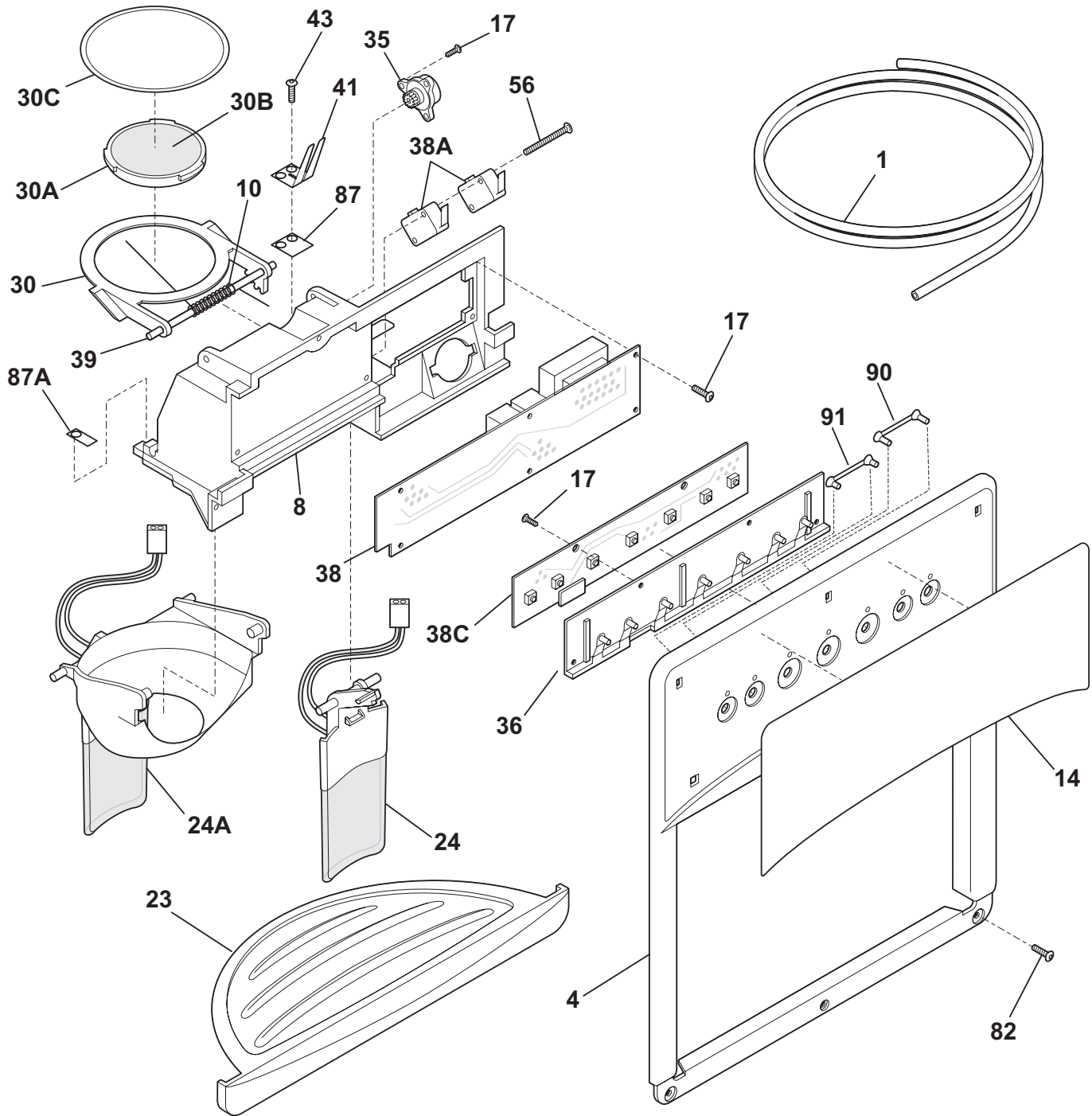


SYSTEM

Model Index: A WSPE25V9G (WSPE25V9GS0)
 B WSPE25V9G (WSPE25V9GS1)

POS. NO	PART NO.		DESCRIPTION
1	240333602	A B	Condenser
3	218679606	A B	Block-evap coil, styrofoam, (2)
4 #	218944001	A B	Drier-filter, R134a System
6 #	241735901	A B	Cord-service
6*	240451503	A B	Screw, ind hex wshr hd, 8-32 x 0.375, trilobe
6*	240555002	A B	Screw-#8-32 X 3/8
6*	241627301	A B	Harness-wiring, machine compt
6*	241805102	A B	Harness-wiring
6* #	240600501	A B	Harness-wiring, control box
14 #	240316108	A B	Defrost Heater, 220 V
15 #	5303918286	A B	Evaporator Kit
16	5308000110	A B	Strap-evap/heater, aluminum, (2)
21 #	5303918202	A B	Thermostat-defrost, kit
22	240330010	A B	Base-compressor
22*	218252201	A B	Screw, #8 truss hd, 10-32CA x 0.500
23	218513300	A B	Grommet-compr mtg, (4)
25	240491503	A B	Screw-compressor mtg, 1/4-28 x 1.16, (4)
26	241697601	A B	Pan-defrost
29 #	5303918357	A B	Compressor Kit
30 #	241707704	A B	Starter-PTC
32	241809001	A B	Clamp, elec cont mtg, compressor
34	240405201	A B	Grommet, rubber, black, cond tube/wire
45	5304455650	A B	Screw, hex washer head, 8-15A x 0.625, low profile
55 #	218909908	A B	Capacitor, run
57	240542601	A B	Clip-wiring harness
58	240569202	A B	Screw, 8-18 x 0.500
59	240315504	A B	Shroud-cond fan
59*	240346701	A B	Tape-foam seal, shroud
59*	240359403	A B	Screw-fan shroud, (2)
59A	240346502	A B	Bracket-support, cond mtr, (3)
59B	240346601	A B	Grommet-bracket, (3)
60 #	241657101	A B	Motor-condenser fan
61	241639501	A B	Blade-condenser fan
62	240429401	A B	Trough-drain
70	218990801	A B	Bracket-evap/cvr mtg
82	5304418225	A B	Roller, compressor base, rear, (2)
83	5304455655	A B	Rivet, flat head, 1/4 OD x 1-3/4, roller pin
84	5304421068	A B	Tube-drain, lower
85	241719501	A B	Tube-connector, suction
86	240409302	A B	Spacer-cond tube, black
*	241623902	A B	Harness-wiring
* #	5303918328	A B	Heat Exchanger Kit, suction line, service
*	5303918244	A B	Hot Tube Repair Kit, service

ICE & WATER DISPENSER



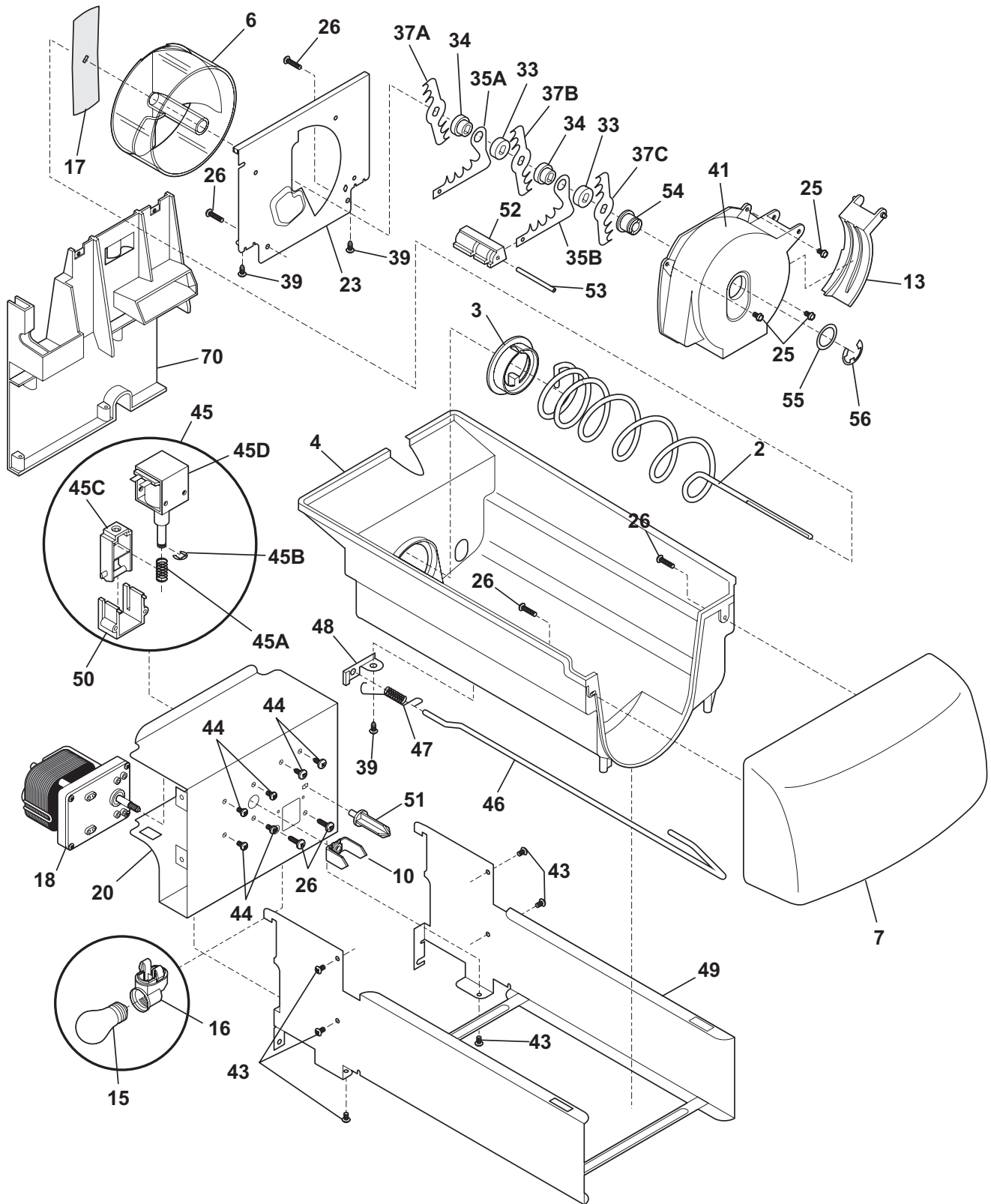
N58XEAAA1

ICE & WATER DISPENSER

Model Index: A WSPE25V9G (WSPE25V9GS0)
 B WSPE25V9G (WSPE25V9GS1)

POS. NO	PART NO.		DESCRIPTION
1	218976409	A B	Tube, water, door
1*	218976901	A B	Tube, water inlet, valve to IM
1*	218976903	A B	Tube-water inlet, inlet valve, to filter
1*	218976907	A B	Tube-water inlet, valve to door
1*	240561701	A B	Seal-water inlet, inlet valve, to ice maker
1*	240561703	A B	Seal-water inlet, inlet valve, to ice maker
4	241678710	A B	Cover-module, silver metallic
8	241680504	A B	Module-dispenser
10	241688901	A B	Spring-torsion
14	241611212	A B	Label-module cover, silver metallic
17	241679801	A B	Screw
23	241649005	A B	Drip Tray, silver metallic
24	241685704	A B	Actuator, stainless
24A	241682304	A B	Actuator-ice, stainless
30	241688401	A B	Door Assy-ice chute
30A	241688501	A B	Door center
30B	241688601	A B	Insulation-door
30C	241688701	A B	Door seal
35	241689301	A B	Damper-rotary
36	241680301	A B	Carrier
38 #	241527606	A B	Board-power
38*	241686201	A B	Insulator-electrical
38A	241689101	A B	Switch-micro, single pole, double throw
38C#	241699807	A B	Board-control
38C*	241680002	A B	Harness-ribbon cable
39	241688801	A B	Pin-hinge
41	241689001	A B	Spring-actuator
43	215296301	A B	Screw, plask h/l, #6 x 3/8
56	241689201	A B	Screw-micro switch, pan head
82	240363402	A B	Screw-#8-18 X 1/2, #6 hd plask
87	241688302	A B	Bearing Plate
87A	241688301	A B	Bearing Plate
90	241680201	A B	Light Pipe, reflector, long
91	241680101	A B	Light Pipe, reflector, short
*	241623902	A B	Harness-wiring
*	5303918273	A B	Dispenser heater kit, 220

ICE CONTAINER



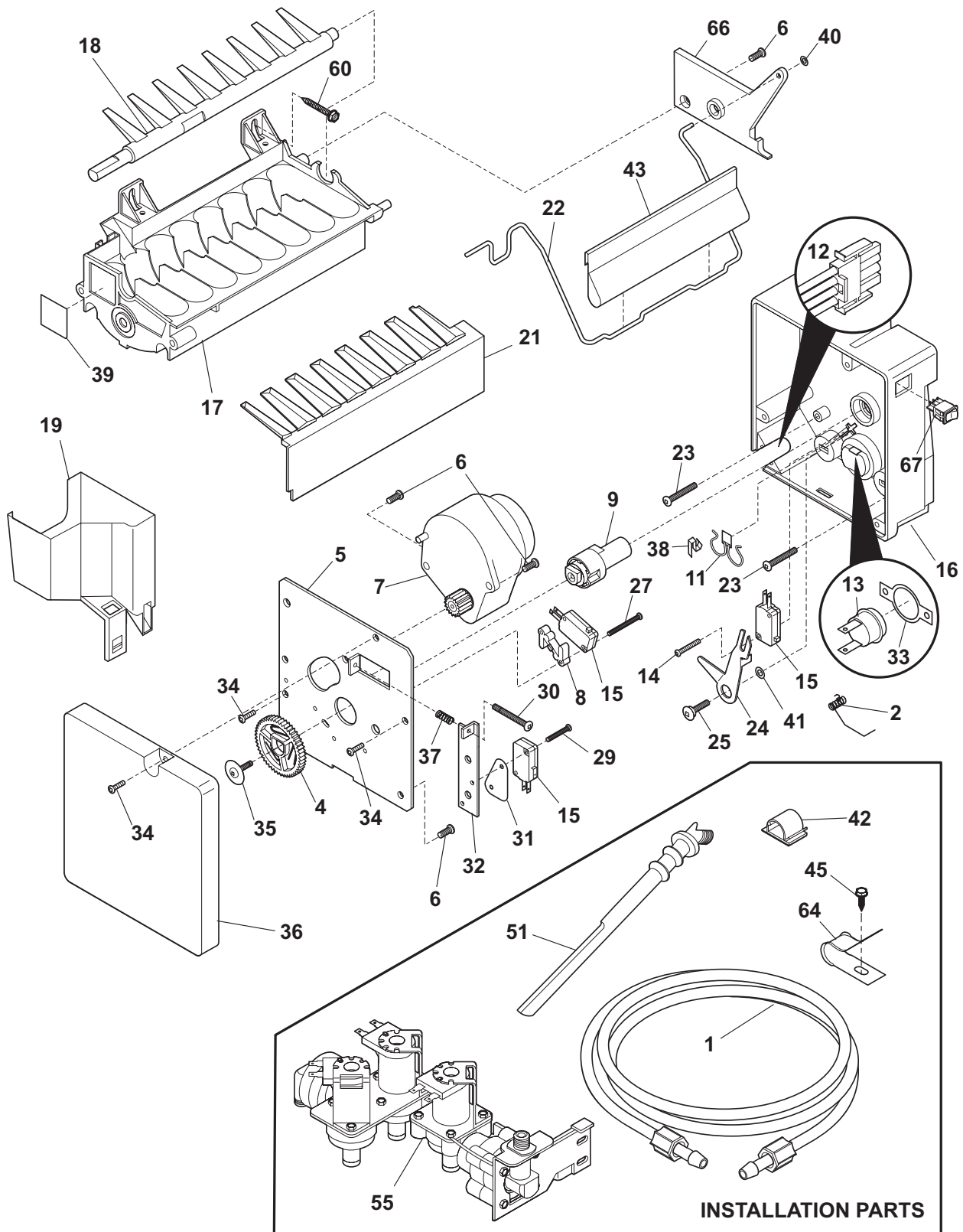
N58YDAAAC6

ICE CONTAINER

Model Index: A WSPE25V9G (WSPE25V9GS0)
 B WSPE25V9G (WSPE25V9GS1)

POS. NO	PART NO.		DESCRIPTION
2	241716101	A B	Auger-ice
3	241685201	A B	Cam-drive
4	241561302	A B	Container-ice, bucket only
6	241685101	A B	Drum-ice disp
7	241561401	A B	Front-ice container
10	241726501	A B	Bar-drive
13	241685301	A B	Gate
15	218814401	A B	Light Bulb
16 #	240433702	A B	Socket-light/lamp
17	241684501	A B	Drive Blade
18 #	241681001	A B	Motor-auger, 220V
18*	241578401	A B	Wiring Harness, auger motor
20	241734702	A B	Cover-motor
23	241684001	A B	Plate-front
25	241690701	A B	Screw, hex washer head, 8-32T x 0.375
26	215503205	A B	Screw, cr pan hd, 10-16 x 0.500
33	241684801	A B	Spacer
34	241689801	A B	Spacer
35A	241684301	A B	Fixed Blade, round
35B	241684201	A B	Fixed Blade, square
37A	241684101	A B	Blade, crusher #1
37B	241684102	A B	Blade, crusher #2
37C	241684103	A B	Blade, crusher #3
39	241690501	A B	Screw
41	241685601	A B	Housing-crusher
43	215296301	A B	Screw, plask h/l, #6 x 3/8
44	241842101	A B	Screw, 8-32 x 1/4
45 #	241675702	A B	Solenoid Assy, 220V
45A	241675901	A B	Spring-solenoid
45B	241676001	A B	E-Ring-solenoid
45C	241676101	A B	Actuator-solenoid
45D	241675802	A B	Solenoid, 220V
46	241716002	A B	Control Rod
47	241731801	A B	Spring-control rod
48	241684602	A B	Bracket-control rod
49	241734501	A B	Rail Assy
50	241675601	A B	Guide-solenoid
51	241676301	A B	Rotation Stop
52	241684901	A B	Spacer-fixed blades
53	241690402	A B	Pin-spiral, fixed blades
54	241685001	A B	Nut-auger
55	241690306	A B	Washer
56	241690201	A B	E-ring
70	241561501	A B	Plate-mounting
70*	241551602	A B	Screw, hex head, 8-18B x 0.875
70*	241716801	A B	Clip
*	218817300	A B	Shield-light
*	241561603	A -	Ice Container Assy, w/moving parts
*	241860804	- B	Ice Container Assy, w/moving parts

ICE MAKER



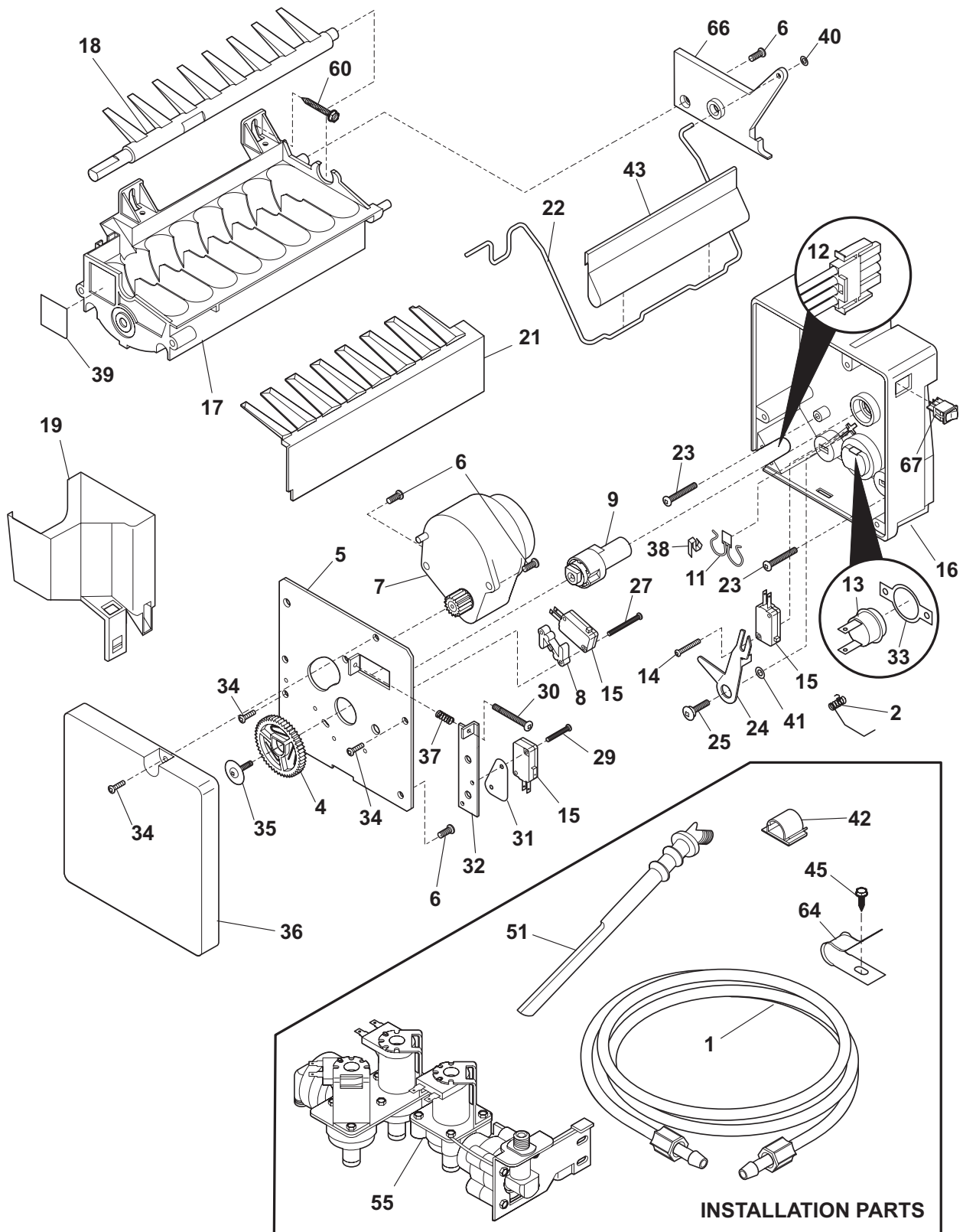
N581115TServo

ICE MAKER

Model Index: A WSPE25V9G (WSPE25V9GS0)
 B WSPE25V9G (WSPE25V9GS1)

POS. NO	PART NO.		DESCRIPTION
1	218976409	A B	Tube, water, door
1*	218976901	A B	Tube, water inlet, valve to IM
1*	218976903	A B	Tube-water inlet, inlet valve, to filter
1*	218976907	A B	Tube-water inlet, valve to door
1*	240561703	A B	Seal-water inlet, inlet valve, to ice maker
2	5304459922	A B	Spring, shut-off arm
4	5304458380	A B	Gear
5	5304459907	A B	Plate-mounting
6	5304459913	A B	Screw
7 #	5304459906	A B	Motor-ice maker Svo
8	5304458388	A B	Spacer-hold switch
9	5304456662	A B	Cam
11 #	5304458400	A B	Thermal Cutoff, ICE MAKER
12	5304458379	A B	Harness-wiring
13	5304456665	A B	Thermostat, ICE MAKER
14	5304459918	A B	Screw
15 #	5304456667	A B	Switch-micro, (3)
16	5304459920	A B	Housing-control
17 #	5304459905	A B	Mold-ice maker, with heater
18	5304458377	A B	Ejector-ice
19	5304459904	A B	Cup-water inlet
21	5304458390	A B	Ice Stripper
22	5304459903	A B	Shut-off Arm
23	5304459917	A B	Screw
24	5304459915	A B	Lever Arm
25	5304459916	A B	Screw
27	5304459910	A B	Screw
29	5304459909	A B	Screw
30	5304459912	A B	Screw
31	5304458381	A B	Insulator
32	5304456681	A B	Plate-valve switch
33	5304458403	A B	Retainer-thermostat
34	5304459911	A B	Screw
35	5304459908	A B	Screw
36	5304458376	A B	Cover-ice maker
37	5304456682	A B	Spring, timing adjust
38	5304458398	A B	Clip
39	5304458399	A B	Conductor-heat
40	5304458401	A B	Clip-retainer
41	5304459921	A B	Washer, lock
42	218515403	A B	Clip-grille
43	241720601	A B	Extension
45	5304455650	A B	Screw, hex washer head, 8-15A x 0.625, low profile
51	241796403	A B	Tube-water fill, extension
55	240536202	A B	Valve-water, triple solenoid, 220
55*	218709101	A B	Screw, hex head, 10-32 x 0.500
55*	240363602	A B	Screw-shoulder
55*	240542901	A B	Cap-water valve
60	5304455651	A B	Screw, hex washer head, 8-15A x 0.500

ICE MAKER



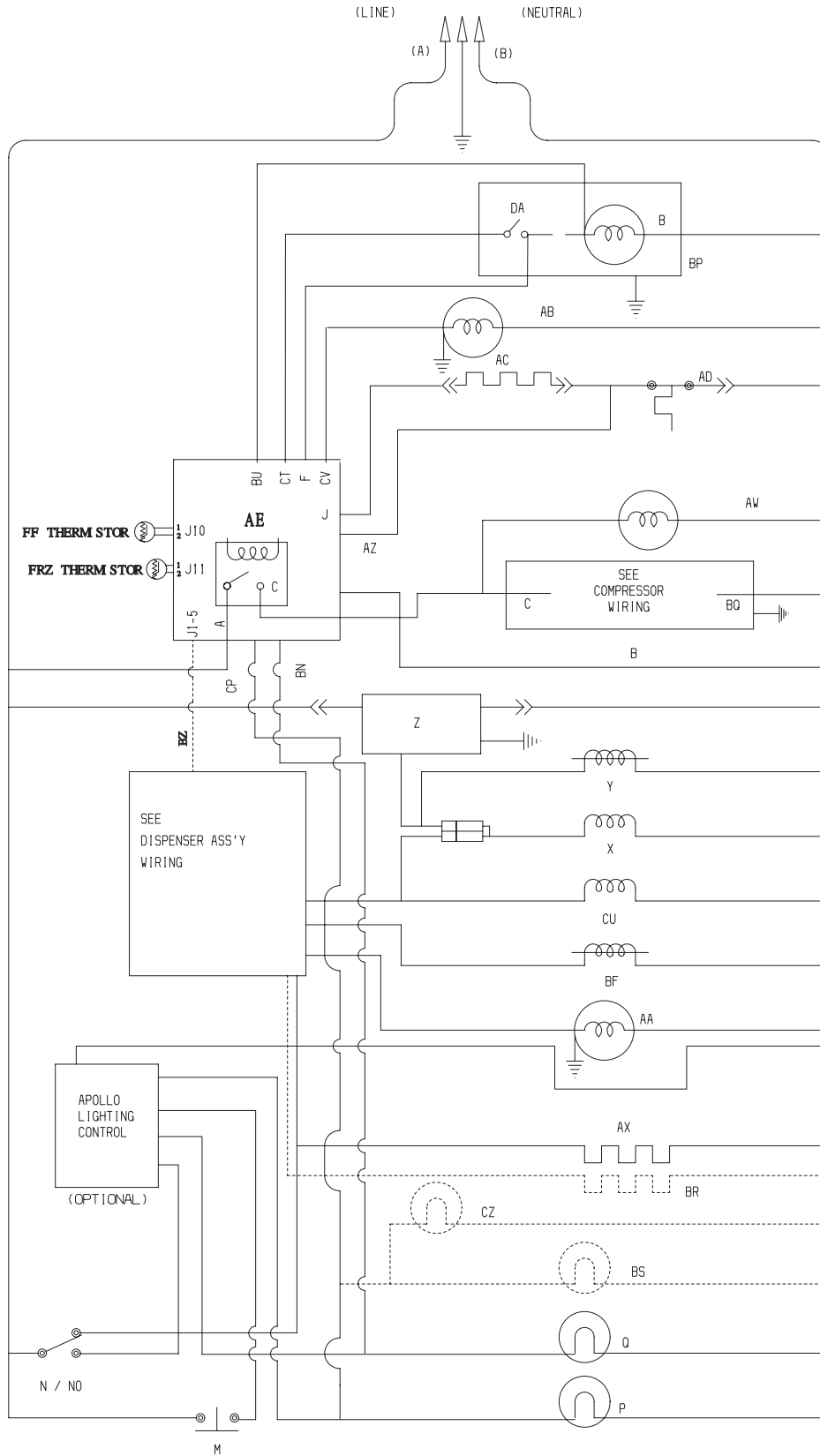
N581115TServo

ICE MAKER

Model Index: A WSPE25V9G (WSPE25V9GS0)
 B WSPE25V9G (WSPE25V9GS1)

POS. NO	PART NO.		DESCRIPTION
64	5304455846	A B	Clamp, .31 ID, steel, water tube
66	5304458374	A B	Bracket-ice maker
67	5304458392	A B	Switch-on/off
*	241587402	A B	Deflector-ice
*	241583301	A B	Deflector-air, ICE MAKER
*	241806601	A B	Connector-water, straight
*	5304456689	A B	Retainer
*	5304459914	A B	Screw
*	241709802	A B	Ice Maker, radius cube, 220 V

WIRING SCHEMATIC



WIRING DIAGRAM

